

# Grinding Machine

## Tissue Grinding Machine



E-mail: [export@biobase.com](mailto:export@biobase.com)

### Introduction:

Tissue Grinding Machine can extract and purify original DNA, RNA, and proteins from any source, including soil, plant and animal tissues/organs, bacteria, yeast, fungi, spores, paleontological specimens, etc. It completes the grinding, crushing, mixing, and cell wall disruption of samples in a very short time.

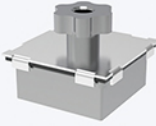
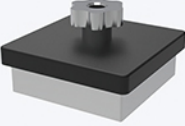
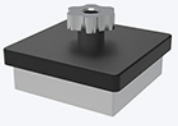
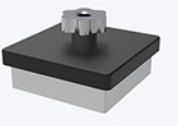





### Features:

- \* In standard mode, both BHY1 and BHY2 can process up to 24 samples in as little as 1 minute.
- \* The grinding process is fully enclosed, with samples moving independently to avoid cross-contamination.
- \* BHY2 has been upgraded to a dual-slide vertical oscillation mechanism, providing more thorough grinding, better stability, and a longer lifespan. BHY1 features a wear-resistant graphite bush structure.
- \* Supports placing centrifuge tubes directly into the adaptor, supports pre-freezing of centrifuge tubes.
- \* Adopt for quiet operation to reduce interference with the surrounding environment.

### Applicable Samples:

- \* Animal tissues: brain, heart, lungs, stomach, liver, thymus, kidneys, intestines, lymph nodes, muscles, bones, hair, etc.
- \* Volatile samples: coal, oil shale, wax products, etc.
- \* Plant tissues: roots, stems, leaves, flowers, fruits, seeds, etc.
- \* Microorganisms: yeast, E. coli, etc.
- \* Food and pharmaceuticals: various foods, tablets, etc.
- \* Plastics, polymers: PE, PS, textiles, resins, etc.
- \* Environmental samples: soil, sediment, sludge, feces, etc.

### Adaptor:

Standard	Optional				
 24*2ml	 96*2ml	 48*2ml	 32*2ml	 16*5ml	 8*10ml
	 2*50ml	 2*25ml	 2*15ml		

### Technical Parameters:

Model	BHY1	BHY2
Display	5-inch OLED touch screen	7-inch OLED touch screen
Oscillation Mode	Up and down vertical oscillation	
Grinding Speed	0~2300rpm	
Grinding Way	Dry grinding/wet grinding/low temperature grinding	
Grinding Time	Each segment 0~120s, can be set in multiple segments	
Programming	Multi-stage operation setup is available, automatically records the parameters of the last operation	
Safety Lock	Mechanical butterfly safety lock + door-controlled electronic operation limit	
Adaptor	Aluminum alloy material Standard: 24*2ml Optional(Can customize): 32*2ml/16*5ml	Aluminum alloy material Standard: 24*2ml Optional(Can customize): 96*2ml/48*2ml/ 32*2ml/16*5ml/8*10ml/2*15ml/2*25ml/2*50ml
Grinding Ball	Diameter: 0.1~10mm Standard stainless steel grinding ball: φ3mm*800 and φ5mm*300	Diameter: 0.1~30mm Standard stainless steel grinding ball: φ3mm*800 and φ5mm*300
Consumption	120W	180W
Power Supply	AC 110~220V, 50/60Hz	
External Size(W*D*H)	265*405*475mm	265*405*520mm
Package Size(W*D*H)	375*510*640mm	375*530*640mm
Net Weight	28.5kg	27kg
Gross Weight	41kg	

Note: Low temperature grinding means that the aluminum alloy adapter can be placed in a low temperature refrigerator or liquid nitrogen container to take out and then use, rather than the instrument with its own freezing function